



3 PHASE GAS COALESCING



SERIES 393

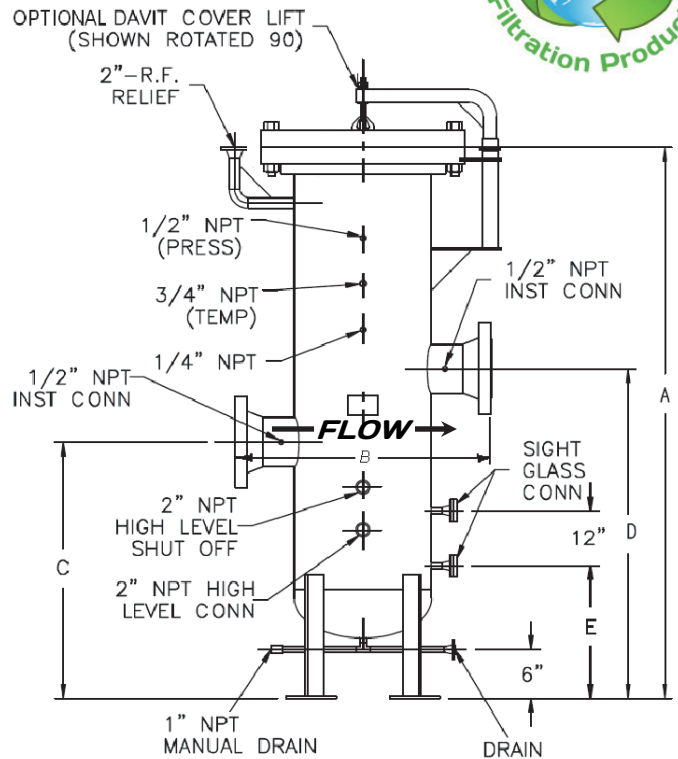
3 Phase Separator/ Coalescing Filter with Bolted Cover
Patent No. 7,332,010

Standards:

- Designed, manufactured, and tested in accordance with ASME Section VIII, Division 1. ('U' Stamp available)
- Coalescing filter incorporates a filtration level of 3 micron.
- Provisions for legs
- Buna-N seals
- Built in Reservoir

Filter Element:

- GFC pleated cleanable coalescing filter elements, with "New Flow Technology" out to in design.



Partial Model Code	A	B	C	D	E	Inlet/ Outlet RF	Drain RF	Sight Gauge RF
393-02008	88" 2235.2 mm	24" 609.6 mm	38" 965.2 mm	60" 1524 mm	20" 508 mm	2" 50mm	1.5" 40 mm	1" 25 mm
393-03008	88" 2235.2 mm	24" 609.6 mm	38" 965.2 mm	60" 1524 mm	20" 508 mm	3" 80 mm	1.5" 40 mm	1" 25 mm
393-04008	88" 2235.2 mm	24" 609.6 mm	38" 965.2 mm	60" 1524 mm	20" 508 mm	4" 100 mm	1.5" 40 mm	1" 25 mm
393-04012	90" 2286 mm	30" 762 mm	40" 1016 mm	62" 1574.8 mm	20" 508 mm	4" 100 mm	2" 50 mm	1" 25 mm
393-06012	92" 2336.8 mm	30" 762 mm	40" 1016 mm	62" 1574.8 mm	20" 508 mm	6" 150 mm	2" 50 mm	1" 25 mm
393-06024	94" 2387.6 mm	40" 1016 mm	42" 1066.8 mm	64" 1625.6 mm	22" 558.8 mm	6" 150 mm	2" 50 mm	1" 25 mm
393-08024	102" 2590.8 mm	42" 1066.8 mm	44" 1117.6 mm	66" 1676.4 mm	22" 558.8 mm	8" 200 mm	2" 50 mm	1" 25 mm
393-08030	106" 2692.4 mm	48" 1219.2 mm	46" 1168.4 mm	68" 1727.2 mm	24" 609.6 mm	8" 200 mm	2" 50 mm	1" 25 mm

Notes: Body material, connections, available options, and dimensions are completely customizable. Dimensions and options availability are subject to change without notice. Please consult the TM Sales Department or your local sales representative for certified drawings, or additional information.

PATENTED & INNOVATIVE FILTRATION TECHNOLOGIES