

2 PHASE GAS COALESCING



SERIES 382

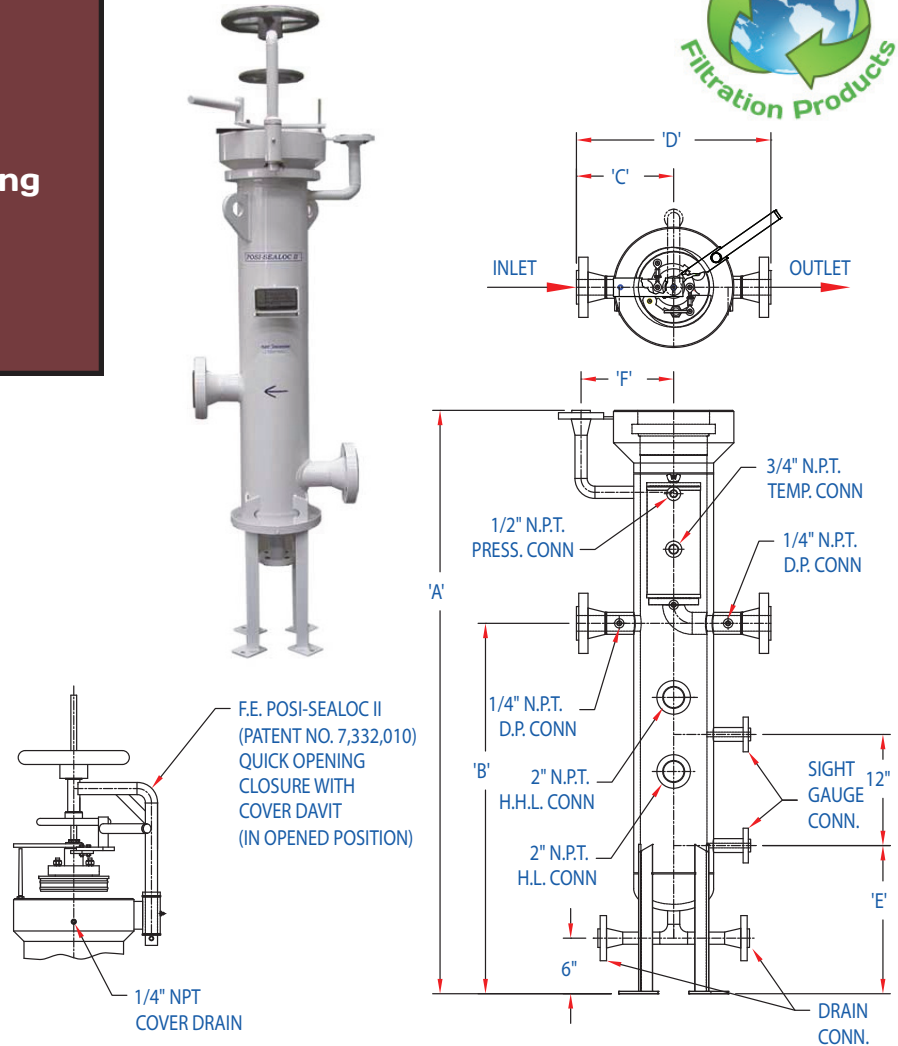
2 Phase Separator/Coalescing Filter with Posi-Sealoc II® Quick Opening Enclosure
Patent No. 7,332,010

Standards:

- Designed, manufactured, and tested in accordance with ASME Section VIII, Division 1. ('U' Stamp available)
- Coalescing filter incorporates a filtration level of 3 micron.
- Provisions for legs
- Buna-N seals
- Built in Reservoir
- Quick opening cover with no bolts to torque.
- "Pressure Warning Device" (PWD) standard. See Page 10 for more information.

Filter Element:

- GFC pleated cleanable coalescing filter elements, with "New Flow Technology" out to in design.



SIZE	A	B	C	D	E	F	INLET/ OUTLET 600# R.F.W.N.	DRAIN 600# R.F.W.N.	SIGHT GAUGE 600# R.F.W.N.
382-02008	63.0 in 1600.2 mm	40.0 in 1016.0 mm	10.5 in 266.7 mm	21.0 in 533.4 mm	16.0 in 406.4 mm	10.0 in 254.0 mm	2.0 in 50.8 mm	1.0 in 25.4 mm	1.0 in 25.4 mm
382-03008	64.0 in 1625.6 mm	40.0 in 1016.0 mm	11.5 in 292.1 mm	23.0 in 584.2 mm	16.0 in 406.4 mm	10.0 in 254.0 mm	3.0 in 76.2 mm	1.0 in 25.4 mm	1.0 in 25.4 mm
382-04008	65.0 in 1651.0 mm	40.0 in 1016.0 mm	12.0 in 304.8 mm	24.0 in 609.6 mm	16.0 in 406.4 mm	10.0 in 254.0 mm	4.0 in 101.6 mm	1.0 in 25.4 mm	1.0 in 25.4 mm
382-04012	72.0 in 1828.8 mm	40.0 in 1016.0 mm	14.0 in 355.6 mm	28.0 in 711.2 mm	18.0 in 457.2 mm	11.0 in 279.4 mm	4.0 in 101.6 mm	1.0 in 25.4 mm	1.0 in 25.4 mm
382-06014	77.0 in 1955.8 mm	44.0 in 1117.6 mm	16.0 in 406.4 mm	32.0 in 812.8 mm	18.0 in 457.2 mm	11.0 in 279.4 mm	6.0 in 152.4 mm	1.0 in 25.4 mm	1.0 in 25.4 mm
382-08024	86.0 in 2184.4 mm	50.0 in 1270.0 mm	21.0 in 533.4 mm	42.0 in 1066.8 mm	21.0 in 533.4 mm	16.5 in 419.1 mm	8.0 in 203.2 mm	1.0 in 25.4 mm	1.0 in 25.4 mm

Notes: Body material, connections, available options, and dimensions are completely customizable. Dimensions and options availability are subject to change without notice. Please consult the TM Sales Department or your local sales representative for certified drawings, or additional information.