



## 2 PHASE GAS COALESCING



### SERIES 392

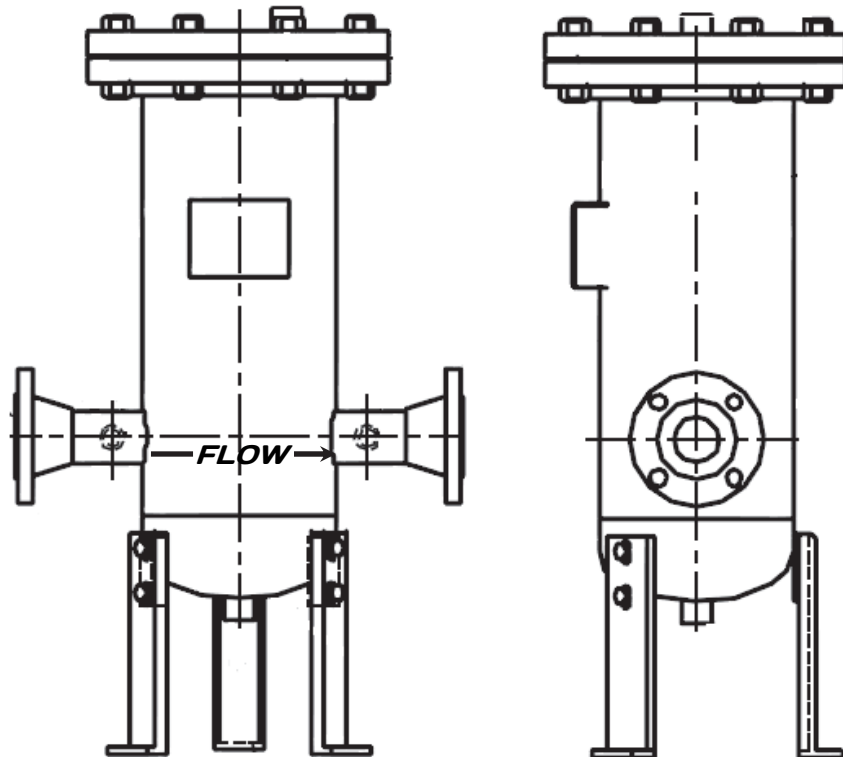
2 Phase Separator/  
Coalescing Filter with  
Bolted Cover  
Patent No. 7,332,010

#### Standards:

- Designed, manufactured, and tested in accordance with ASME Section VIII, Division 1. ('U' Stamp available)
- Coalescing filter incorporates a filtration level of 3 micron.
- Provisions for legs
- Buna-N seals
- Built in Reservoir

#### Filter Element:

- GFC pleated cleanable coalescing filter elements, with "New Flow Technology" out to in design.



Notes: Body material, connections, available options, and dimensions are completely customizable. Dimensions and options availability are subject to change without notice. Please consult the TM Sales Department or your local sales representative for certified drawings, or additional information.

**PATENTED & INNOVATIVE FILTRATION TECHNOLOGIES**