



2 PHASE GAS COALESCING



SERIES 392H

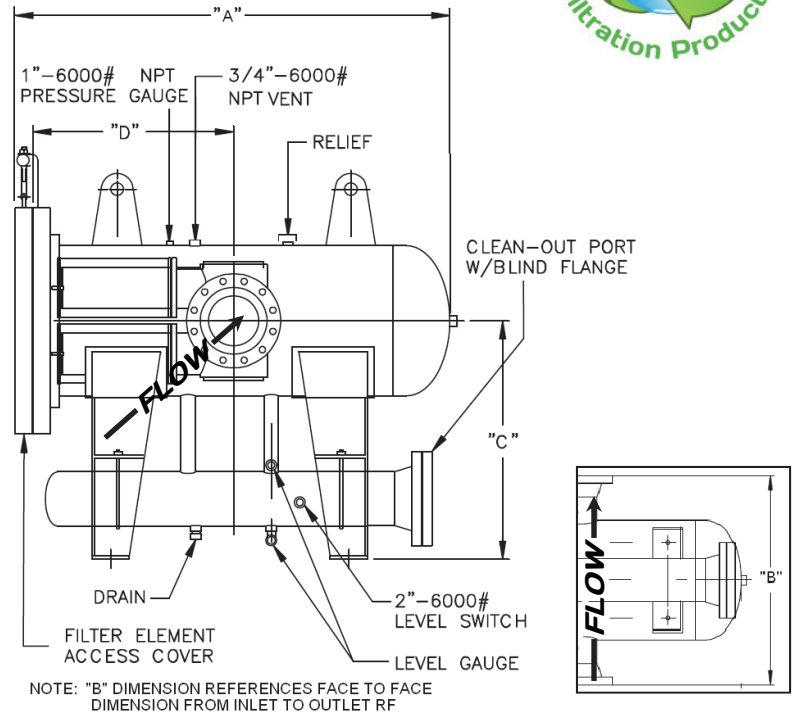
Horizontal 2 Phase Gas Coalescing Filter with Bolted Cover and Reservoir
Patent No. 7,332,010

Standards:

- Designed, manufactured, and tested in accordance with ASME Section VIII, Division 1. ('U' Stamp available)
- Coalescing filter incorporates a filtration level of 3 micron.
- Provisions for legs
- Buna-N seals
- Built in Reservoir
- Horizontal design

Filter Element:

- GFC pleated cleanable coalescing filter elements, with "New Flow Technology" out to in design.



Partial Model Code	A	B	C	D	Inlet/Outlet RF	Drain RF	Sight Gauge	Relief Valve
392H-04024	65" 1651 mm	42" 1066.8 mm	38" 965.2 mm	32" 812.8 mm	4" 100 mm	1" 25 mm	3/4"-NPT	3/4"-NPT
392H-08024	65" 1651 mm	42" 1066.8 mm	38" 965.2 mm	34" 863.6 mm	8" 200 mm	1" 25 mm	3/4"-NPT	3/4"-NPT
392H-08030	70" 1778 mm	48" 1219.2 mm	42" 1066.8 mm	34" 863.6 mm	8" 200 mm	1 1/2" 40 mm	1"-RF 25 mm	2"-RF 50 mm
392H-10030	70" 1778 mm	48" 1219.2 mm	42" 1066.8 mm	35" 889 mm	10" 250 mm	1 1/2" 40 mm	1"-RF 25 mm	2"-RF 50 mm
392H-10032	72" 1828.8 mm	50" 1270 mm	46" 1168.4 mm	35" 889 mm	10" 250 mm	2" 50 mm	1"-RF 25 mm	2"-RF 50 mm
392H-12032	72" 1828.8 mm	50" 1270 mm	46" 1168.4 mm	36" 914.4 mm	12" 300 mm	2" 50 mm	1"-RF 25 mm	2"-RF 50 mm
392H-12048	76" 1930.4 mm	68" 1727.2 mm	60" 1524 mm	38" 965.2 mm	12" 300 mm	2" 50 mm	1"-RF 25 mm	2"-RF 50 mm
392H-14048	76" 1930.4 mm	68" 1727.2 mm	60" 1524 mm	40" 1016 mm	14" 350 mm	2" 50 mm	1"-RF 25 mm	2"-RF 50 mm

Notes: Body material, connections, available options, and dimensions are completely customizable. Dimensions and options availability are subject to change without notice. Please consult the TM Sales Department or your local sales representative for certified drawings, or additional information.

PATENTED & INNOVATIVE FILTRATION TECHNOLOGIES