



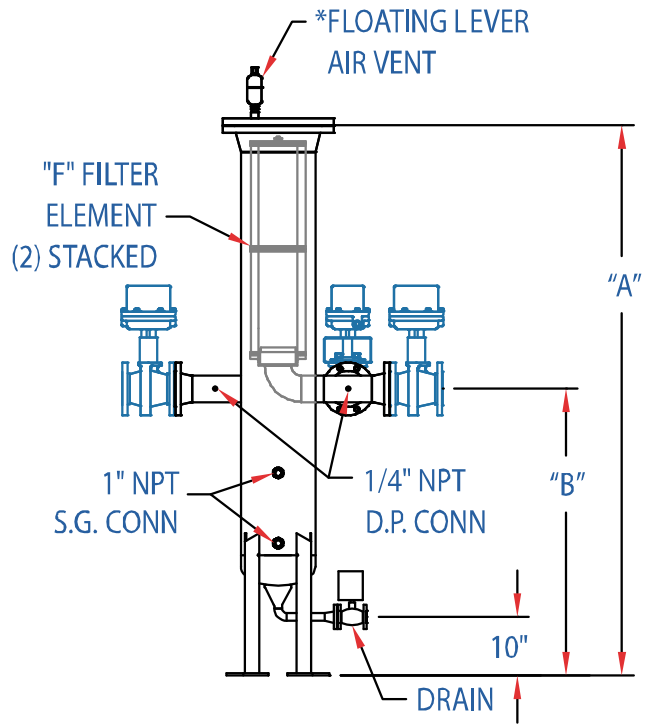
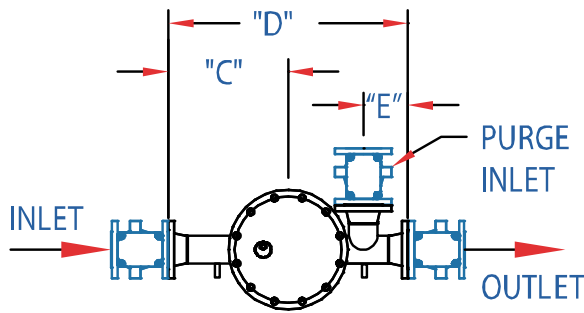
BACK FLUSHABLE GAS OR LIQUID FINE PARTICULATE SIMPLEX SYSTEMS



SERIES 311 & 311P

Back Flushable Fine Particulate Filter Systems utilizing the "RGF" Elements

Patent Pending



*Floating lever air vents are for liquid units.
Gas systems will require vent valves

SIZE	A	B	C	D	E	F	INLET/OUTLET 150# R.F.	PURGE INLET 150# R.F.	DRAIN 150# R.F.
311-01008	74	41	10	22	3-1/2	RGF-1	1"	1"	1"
311-01508	75	41	14	24	4-3/4	RGF-1	1-1/2"	1"	1"
311-02008	77	43	15	26	5-1/8	RGF-1	2"	1"	1"
311-03012	94	44	14	34	8	RGF-4	3"	1-1/2"	1-1/2"
311-04012	94	44	14	34	8	RGF-4	4"	1-1/2"	1-1/2"
311-06020	102	45	19	45	9	RGF-5	6"	1-1/2"	1-1/2"
311-08020	108	49	20	49	10	RGF-5	8"	2"	2"
SIZE	A	B	C	D	E	F	INLET/OUTLET 300# R.F.	PURGE INLET 300# R.F.	DRAIN 300# R.F.
311-01008	74	41	10	22	3-3/4	RGF-1	1"	1"	1"
311-01508	75	41	14	24	5	RGF-1	1-1/2"	1"	1"
311-02008	77	43	15	26	5-3/8	RGF-1	2"	1"	1"
311-03012	94	44	14	34	8	RGF-4	3"	1-1/2"	1-1/2"
311-04012	94	44	14	34	8	RGF-4	4"	1-1/2"	1-1/2"
311-06020	102	45	19	45	9	RGF-5	6"	1-1/2"	1-1/2"
311-08020	108	49	20	49	11	RGF-5	8"	2"	2"

Notes: Dimensions are subject to change without notice. Other materials of construction are available. Please consult the TM Sales Department or your local sales representative for certified drawings.

PATENTED & INNOVATIVE FILTRATION TECHNOLOGIES