

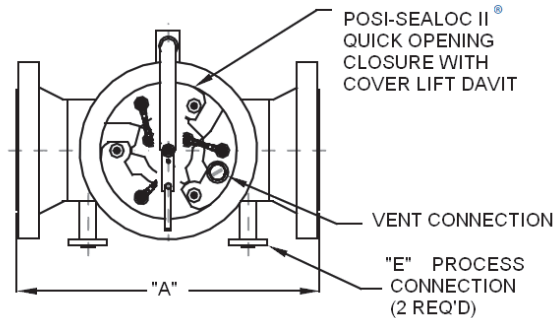


SIMPLEX GAS STRAINER



SERIES 120

Gas Strainer with Posi-Sealoc II® Quick Opening Closure with bottom drain
Patent No. 7,332,010

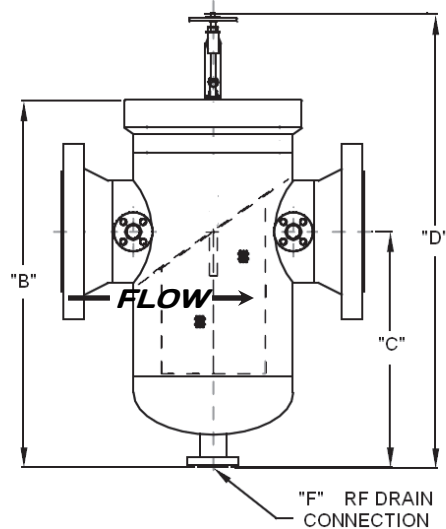


Standards:

- Designed, manufactured, and tested in accordance with ASME Section VIII, Division 1. No "U" Stamp ('U' stamp available as option)
- Provisions for legs
- Buna-N seals
- Flat bottoms with side drain available option.
- Standard "Pressure Warning Device" (PWD) See Page 10 for more information.

Straining/Filtration:

- High flow mesh basket with filtration to 25 micron



SIZE CONNECTION *	"A"	"B"	"C"	"D"	"E" *	"F" *
4" RF 100mm	24" 609.6mm	26" 660.4mm	16" 406.4mm	37" 939.8mm	1" RF 25mm RF	2" RF 50mm RF
6" RF 150mm	28" 711.2mm	31.5" 800.1mm	18.5" 469.9mm	42.5" 1079.5mm	1" RF 25mm RF	2" RF 50mm RF
8" RF 200mm	32" 812.8mm	36.16" 918.5mm	22.5" 571.5mm	47.5" 1206.5mm	1" RF 25mm RF	2" RF 50mm RF
10" RF 250mm	33" 838.2mm	41.5" 1054.1mm	26.5" 673.4mm	52.5" 1333.5mm	1" RF 25mm RF	2" RF 50mm RF
12" RF 300mm	38" 965.2mm	46" 1168.4mm	29.5" 749.3	58" 1473.2mm	1" RF 25mm RF	2" RF 50mm RF
16" RF 400mm	42" 1066.8mm	52" 1320.8mm	32.5" 825.5mm	64" 1625.6mm	1" RF 25mm RF	2" RF 50mm RF

Note: * = Options for 150#, 300#, 600#, 900#, 1500# or 2500# RF connections. Body material, connections, available options, and dimensions are completely customizable. Dimensions and options availability are subject to change without notice. Please consult the TM Sales Department or your local sales representative for certified drawings, or additional information.