



FINE GAS STRAINER

SERIES 132

**Fine Gas Strainer/
Polisher with
Posi-Sealoc II ®
Quick Opening Closure
and bottom drain
Patent No. 7,332,010**



**CONVOLUTED BASKET
PROVIDES LARGER OPEN AREA
FOR BETTER FILTRATION**

APPLICATIONS

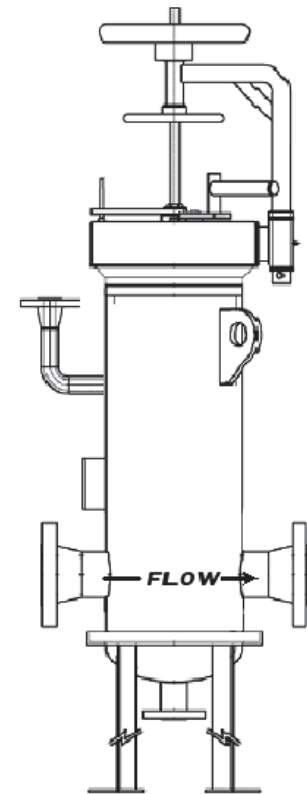
- Natural Gas Compressor stations
- Skid Filtrations Systems
- Fine Water Filtration Systems

STRAINING / FILTRATION

- High flow Convoluted Dutch Weave Mesh basket with filtration to 2 micron (nominal) (Options for other meshes)

DESIGN INFORMATION

- Designed, manufactured, and tested in accordance with ASME Section VIII, Division 1. 'U' Stamp available)
- Posi-Sealoc II ® Quick Opening Closure
- Provisions for legs
- Buna-N seals
- Maximum Temperature rating for Basket 290°F
- Standard Pressure Warning Device (PWD)
- Pressure ranges ANSI 150#, 300#, 600#, 900#, 1500# or 2500#
- Seal material, Vessel material, Dimensions, and Coatings may be customized.



Notes: Body material, connections, available options, and dimensions are completely customizable. Options availability is subject to change without notice. Please consult the TM Sales Department or your local sales representative for certified drawings, or additional information.